

## TADANO CARGO CRANE

**MODEL: TM-ZT825H**

## CRANE SPECIFICATIONS

MAXIMUM LIFTING CAPACITY 8,200 kg at 1.8 m (6-part line)

CRANE CAPACITY 4,900 kg at 3.1 m (4-part line)

BOOM Five-sectioned, fully powered partly synchronized telescoping boom

- Retracted length ----- 4.40 m
- Extended length----- 15.92 m
- Extending speed ----- 11.5 m / 30 s
- Elevation ----- Elevated by a double-acting  
Hydraulic cylinder
- Elevating speed ----- 1° to 82° / 13 s
- Boom point -----3 sheaves

WINCH Hydraulic motor driven Spur gear speed reduction, provided with  
mechanical brake and cable follower

- Single line pull ----- 14.72 kN {1,500 kgf}
- Single line speed ----- 64 m/min (at 4th layer)
- Wire rope
  - Diameter x length ----- 10 mm x 95 m
  - Breaking strength ----- 73.5 kN {7,500 kgf}
  - Construction ----- 7 x 7 + 6 x Fi(29)
- Hook block ----- 3 sheaves

HOOK STOWING DEVICE Mechanically stowed beneath boom top portion

SLEWING

Hydraulic motor driven Worm gear speed reduction  
 Continuous 360° full circle slewing on ball bearing slew ring  
 Automatic slewing lock  
 Slewing speed ----- 2.5 min<sup>-1</sup> {rpm}

OUTRIGGERS

Manually extended sliders and hydraulically extended jacks  
 Integral with crane frame Power up and down  
 Extended width ----- Min. 2,250 mm  
 Mid. 3,100 mm  
 Max.3,900 mm

HYDRAULICS

Hydraulic pump -----Single gear pump  
 Hydraulic motors -----Axial piston type for winch  
 Axial piston type for slewing  
 Control valves----- Multiple control valves with integral  
 safety valve  
 Oil tank capacity -----approx. 90 L

SAFETY DEVICES

Load meter  
 Load indicator  
 Over-winding alarm  
 Hoisting limiter  
 Hook safety latch  
 Hydraulic safety valves, check valves and holding valves  
 Level gauge

CRANE MASS

Approx. 2,890 kg (except mounting parts)

NOTE : Operating speeds of the crane are guaranteed under the condition that the pump delivery is 85 L/min.

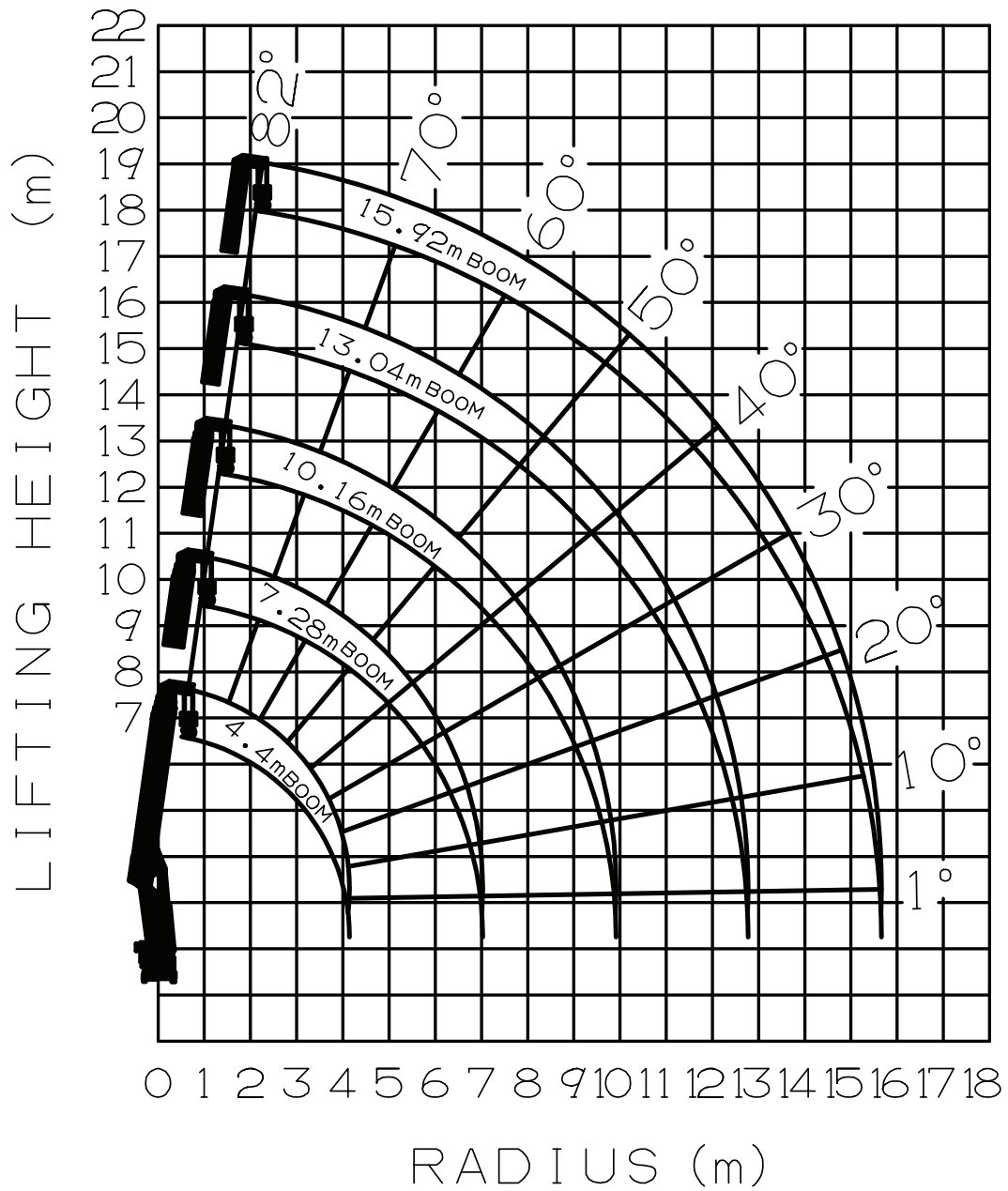
## RATED LIFTING CAPACITIES IN KILOGRAMS

### Crane Strength Rated Capacities

Load Radius	4.4 m Boom	Load Radius	7.28 m Boom	Load Radius	10.16 m Boom	Load Radius	13.04 m Boom	Load Radius	15.92 m Boom
1.8 m and below	8,200	2.25 m and below	6,000	4.5 m and below	3,000	4.5 m and below	3,000	5.0 m and below	2,600
2.25 m	6,000	3.1 m	4,900	5.0 m	2,700	5.0 m	2,600	6.0 m	2,000
3.1 m	4,900	3.5 m	4,200	6.0 m	2,200	6.0 m	2,000	7.0 m	1,650
3.5 m	4,200	4.0 m	3,700	7.0 m	1,800	7.0 m	1,700	8.0 m	1,400
4.15 m	3,550	4.5 m	3,300	8.0 m	1,400	8.0 m	1,400	9.0 m	1,150
		5.0 m	2,900	9.0 m	1,150	9.0 m	1,150	10.0 m	1,000
		6.0 m	2,200	9.91 m	1,000	10.0 m	1,000	11.0 m	900
		7.03 m	1,750			11.0 m	900	12.0 m	750
						12.0 m	750	13.0 m	650
						12.7 m	650	14.0 m	550
								15.67 m	450

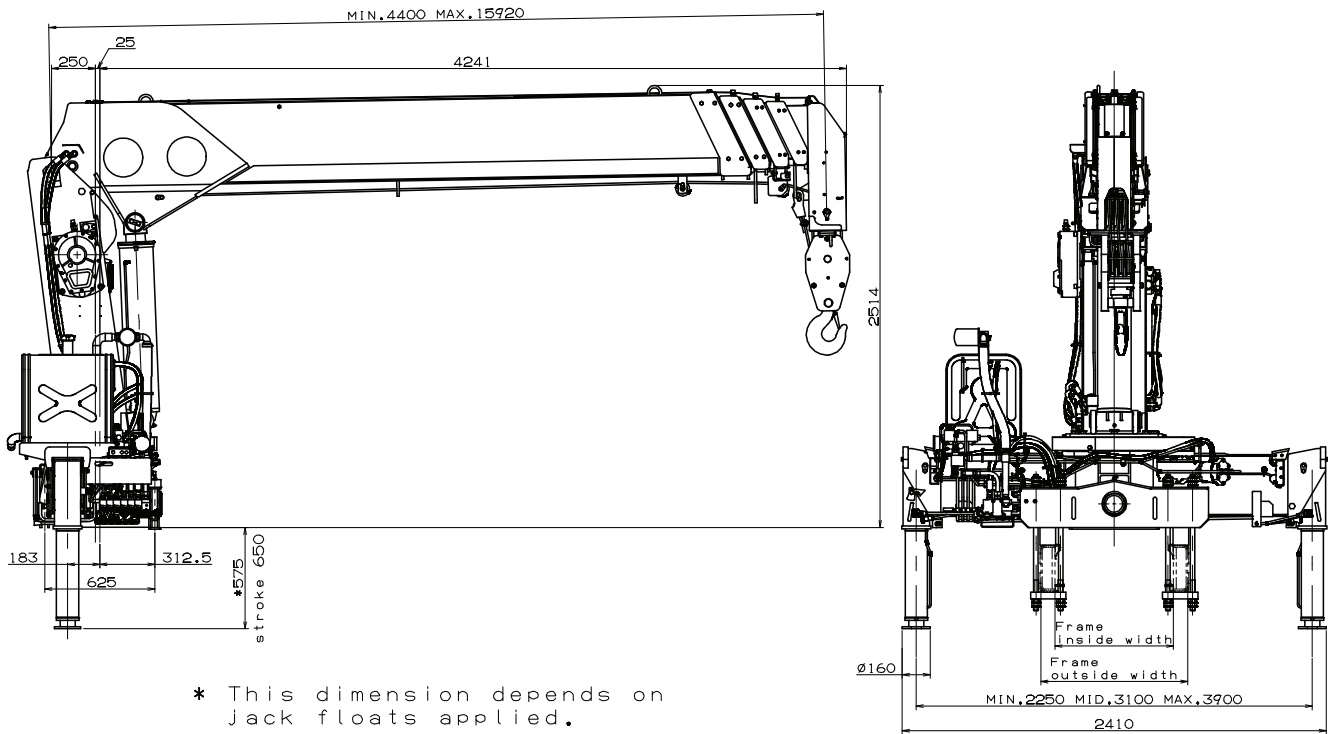
- NOTES :
1. The above numerical values of total rated loads are based on crane strength only. The total rated loads based on stability may lower than those in the above table depending on the loading conditions and the types of the chassis.
  2. Rated Lifting Capacities in these tables depend on condition that crane is set level on firm level ground.
  3. The mass of the hook (90 kg), slings and all similarly used load handling devices must be added to the mass of the load.
  4. For boom lengths not shown, use the rated lifting capacity of next longer boom.
  5. 13.04m boom means  $\sphericalangle$  mark on 4th boom section side plate is half seen.
  6. When the lifting load is heavier than 6,000kg, number of part lines must be 6. In case of 6,000kg or less, number of part lines must be 4. Load per line must not surpass 14.7kN{1,500kgf}.

WORKING RANGE



NOTE: The above lifting heights and boom angles are based on a straight (unladen) boom, and allowance should be made for boom deflection obtained under laden conditions.

## DIMENSIONS



## GENERAL DATA FOR SUITABLE TRUCKS

- Gross vehicle mass (including crane mass) --- 20,000 kg or more
- P.T.O. torque ----- 167 N-m{17 kgf-m} min.
- P.T.O. revolution ----- Approx. 1,700 min<sup>-1</sup>{rpm} max.
- Width for crane mounting ----- Approx. 920 mm min.
- Frame ----- Weight distribution and frame strength  
should be calculated for each truck
- Frame width range (inside to outside) ----- Approx. 576 to 953 mm
- Frame height (ground to frame top) ----- Approx. 1,055 mm max.  
(Height of crane mounting base can be changed  
by combination of jack floats and crane bases)